

# P17 Tempra PRO

A RANGE  
YOU CAN  
RELY ON



HIGH-POWER PLUGS & SOCKETS  
FROM 16 A TO 125 A

THE **GLOBAL SPECIALIST**  
IN ELECTRICAL AND DIGITAL BUILDING INFRASTRUCTURES

 **legrand**<sup>®</sup>

LIVE THE ADVANTAGE

# P17 TEMPRA PRO, suitable for all environments

The P17Tempra Pro range incorporates numerous benefits for optimum commissioning of installations and increased user safety.

More than ever before, the new range is highly recommended for all sites involving specific constraints related to waterproofness, impact resistance or temperature conditions, both indoors and outdoors: shopping centres, hospitals, office buildings, food-processing facilities, industry, transportation, data centres, markets, etc.



IP 66/67  
mobile socket



FOR INSTALLATIONS INVOLVING  
SPECIFIC CONSTRAINTS RELATED TO  
WATERPROOFNESS OR TEMPERATURE  
CONDITIONS,  
BOTH INDOORS AND OUTDOORS



# CONTENTS

Continuity of service.....	2
Quick implementation .....	4
Ease of use and safety .....	6
Accessories .....	8
Catalogue pages.....	10
Technical Details .....	18

# P17 TEMPRA PRO, always ensuring continuity of service

By updating its IP44 and IP 66/67 range of industrial sockets, Legrand is meeting the expectations of professional users. New benefits in terms of safety, implementation, design & ergonomics guarantee the longevity of this family of products, which has already proven itself over time.



## IP44

SOCKETS FOR INTERNAL AND EXTERNAL USE, PROTECTED AGAINST PROJECTIONS OF WATER (BUT NOT EXPOSED TO DIRECT JETS)



Straight plugs



Mobile sockets



Panel mounting sockets

A TRANSFORMED RANGE  
WHICH HARMONISES WITH  
THE LEGRAND INDUSTRIAL  
SOCKETS RANGE

- From 16 to 32 A
- 2 P+ E / 3 P+E / 3 P+N+E
- From 100 to 500 V~
- 50/60 Hz
- Screw connection



AIRPORTS, DATACENTRES, HOTELS, ETC. P17TEMPRA PRO IS IDEAL FOR ALL MAJOR PROJECTS

# IP66/67/69\* WEATHERPROOF SOCKETS THAT CAN WITHSTAND TEMPORARY IMMERSION (RAIN, FLOODS, ETC)



Surface mounting sockets



Straight plugs



Mobile sockets



Panel mounting sockets



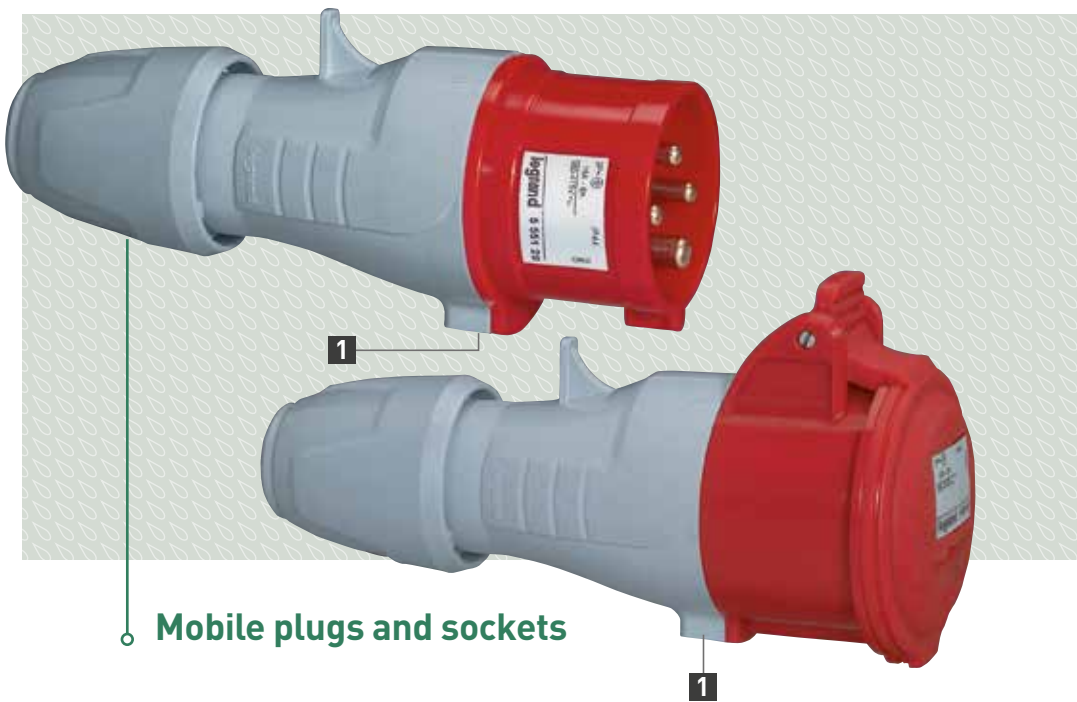
Surface mounting sockets

- From 16 to 125 A
- 2 P+ E / 3 P+E / 3 P+N+E
- From 100 to 500 V~
- 50/60 Hz
- Screw connection

\* On 63 and 125 A plugs and mobile sockets

# P17 TEMPRA PRO, ensuring a quick installation

As competitiveness is key to success when working on a site, the P17 Tempra Pro range offers an array of essential and intuitive benefits aimed at simplifying every movement, freeing up wiring space and ensuring quick, accurate cable connection under optimum conditions.



1 Mobile plugs and sockets

MOBILE PRODUCTS  
ARE SUPPLIED  
ASSEMBLED AND UNLOCKED



## 1 QUICK OPENING/CLOSING SYSTEM'

Unlocked by pressing with a screwdriver. Marking indicates the location for the locking clip.



Opened by turning the 2 parts in opposite directions.



## 2 ENHANCED PROTECTION'

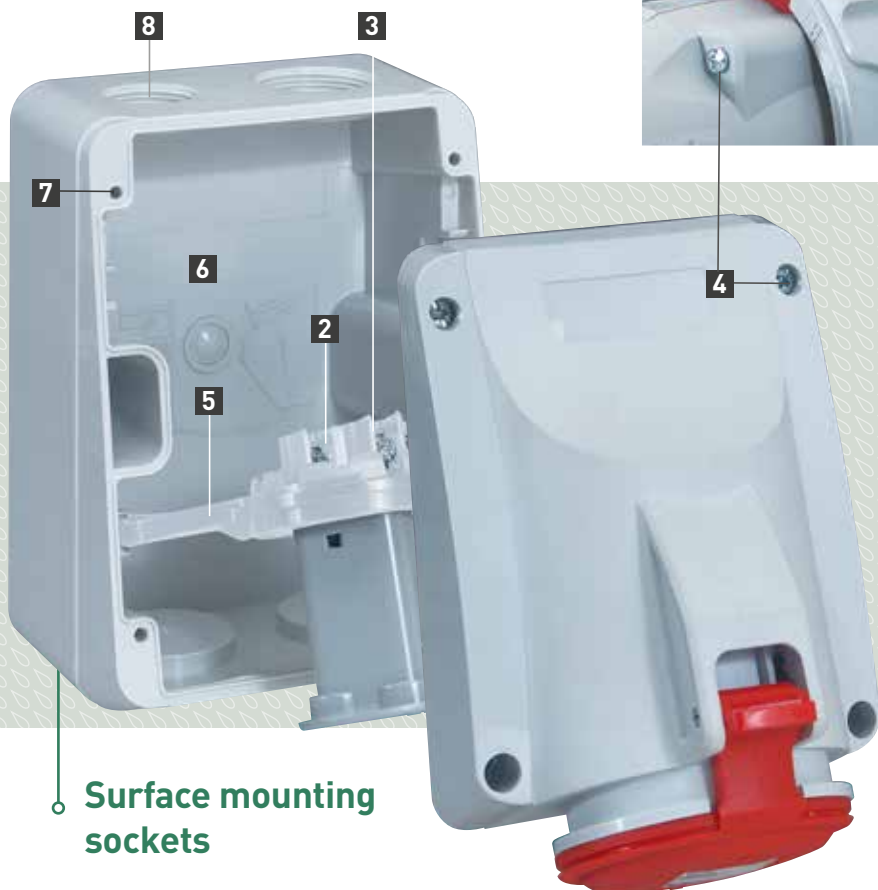
Removable terminal cover at the back of the panel mounting sockets.



## CABLE STRIPPING

Marking allows the user to see quickly the length of cable to be stripped and to identify connection terminals. Option of using cables with ferrules.

1: 16 and 32 A products only

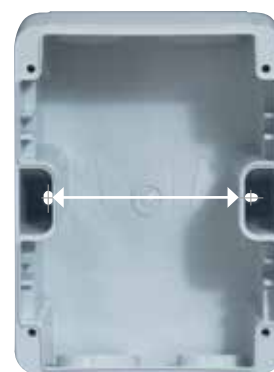


**Surface mounting sockets**



**8 CABLE ENTRIES**

4 threaded and sealed cable entries at the top and the bottom and marking at the back of the box for ISO cable glands or conduits.



**7 EASIER MAINTENANCE**

Fixing centres are identical to the old range (70 mm) for the 16 A sockets and marked at the back of the box for 32 A sockets.



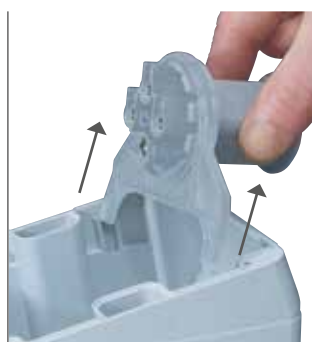
**3 JUST ONE SCREW PER TERMINAL**

A single captive PZ 2 screw, per connection terminal. Same type of screw for both ratings, 16 and 32 A.



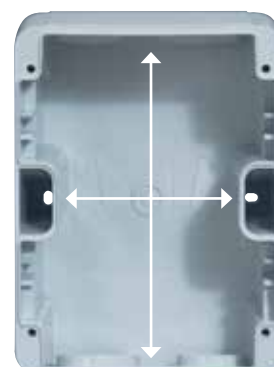
**4 EASY COVER FIXING**

Stainless steel captive screws with mixed head (for cross or flat screwdriver) for a good seal, anti-corrosion resistance and time saving during installation.



**5 EASY REMOVAL'**

The active parts of the product can be removed from the base for easier wiring and changing the socket angle.



**6 EASY WIRING**

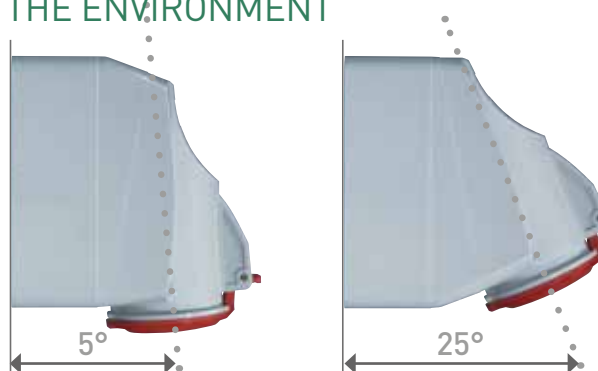
Optimum wiring area for easier connections.

# P17 TEMPRA PRO, ensuring ease of use and safety

The new P17 Tempra Pro range has been subject to extensive research in terms of design and safety in order to make life safer and easier for the user. Good product gripping, compact dimensions for use in tight spaces, easier handling, etc. Compliance with standards, anti-corrosion treated materials and components, etc. A comprehensive set of solutions which comply with the standards.



## AN INNOVATIVE DESIGN THAT COMPLIES WITH STANDARDS IEC 60309-1 AND 2 AND RESPECTS THE ENVIRONMENT



### 1 2 MOUNTING POSITIONS\*

To solve the problem of limited space, the surface mounting sockets offer 2 different mounting positions (5° or 25°) which allow users to adapt to the space available without changing the box.



### 2 CABLE GRIP

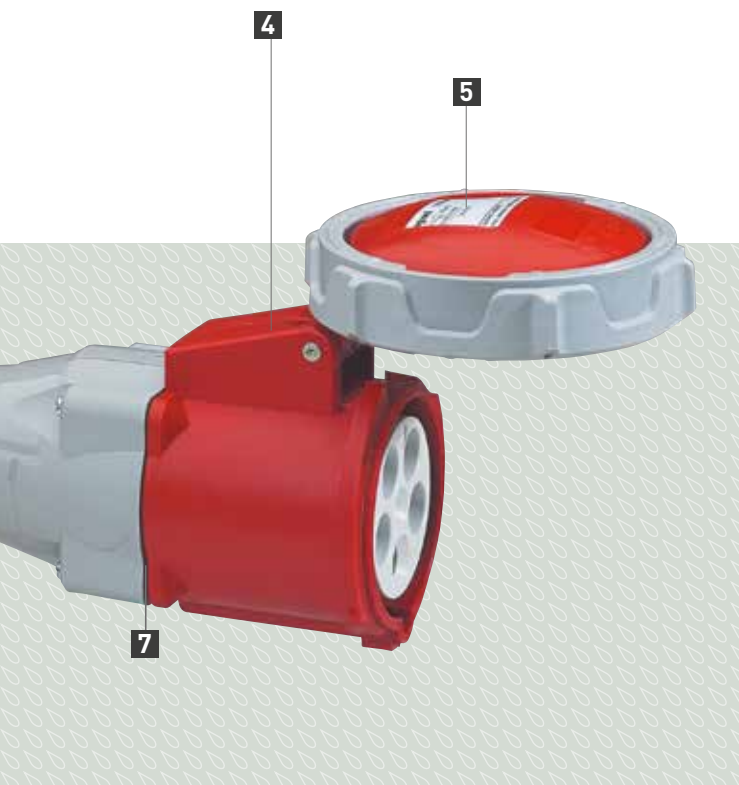
Captive cable grip with anti-vibration system holds the cable in place permanently. The 63 and 125 A products are also equipped with a locking screw.



### 3 EASE OF HANDLING

Gripping areas on the body of the mobile products and the cable grip.

1: 16 and 32 A products only



## SAFETY & THE ENVIRONMENT

### SAFETY

Connection terminals compliant with standards IEC 60 309 1 & 2

Production sites certified according to ISO 14001 and ISO 9001

Very high resistance to chemical products. Plugs and sockets made of polyamide 6

Anti-corrosion treated screws, stainless steel springs for the socket covers

Resistant to temperatures of -25°C to +40°C

### ENVIRONMENT

Halogen-free recyclable materials (silicone, PVC) for IP 44 products

Grouped packaging in boxes

PEP products (Eco Passport)



#### 4 OPENING LEVER

For easier connection / disconnection. Cover held open on panel sockets and surface mounting sockets.



#### 5 POSITION MARKING

Information engraved on the ring cover of IP66/67 products means the user can check quickly whether it is in the open or closed position. Marking on cover and flap for easy identification.



#### 6 RIVETED METAL SHAFT

For 63 and 125 A products the riveted metal shaft ensures more strength. The notched locking ring facilitates the locking / unlocking operations.



#### 7 WEATHERPROOF SEALING

For panel mounting sockets.

# P17 TEMPRA PRO,

## ensuring customers get exactly what they need

The P17 Tempra Pro range is fully compatible with additional products and accessories from the Legrand industrial socket range and therefore meets the needs of all site configurations. Customised configurations are also available for solutions that are even more suited to your wide-ranging needs.



### Combined units



**SINGLE-SOCKET UNITS**  
With or without DIN rail:  
16 / 32 A IP 44 et 63 A IP 66  
(see page 25)



**COMBINED UNITS TO BE COMPOSED**  
Only 16 catalogue numbers:  
8 for the bases and 8 for the faceplates  
(see page 22)

### IP55 flush-mounting boxes



**FOR IP 44 OR IP 66/67 SOCKETS**  
For 1 x 16 or 32 A  
or domestic socket  
(see page 13)



**FOR IP 44 OR IP 66/67 SOCKETS**  
For 2 x 16 A  
or domestic sockets  
(see page 13)

A COMPREHENSIVE  
RANGE OF PRODUCTS  
MATCHING THE NEW  
P17 TEMPRA PRO  
RANGE PERFECTLY

## Worksites combined units



**INDIVIDUAL UNITS**  
Mobile units with integrated handle (see page 26)



**FLOOR CABINETS**  
Fitted with 5, 6 or 7 sockets or in modular version (see page 26)



**ENERGY DISTRIBUTION UNITS**  
Fitted with domestic and IEC pin configuration socket from 16 to 63 A (see page 26)

## Interlocked sockets



**INTERLOCKED SWITCHED SOCKETS WITH SMALL FLANGE**  
125 x 105 mm  
(see page 12)

# P 17 Tempra Pro IP 44 - LV 16 and 32 A








## selection chart

Conform to IEC 60309-1 and IEC 60309-2 IP 44 according to IEC 60529 IK 09 according to IEC 62262 Material: polyamide 6 Self-extinguishing: 850 °C (support of active parts) / 650 °C (plastic housing)			FUNCTIONS								
			SURFACE MOUNTING SOCKETS	PANEL MOUNTING SOCKETS INCLINED OUTLET	PANEL MOUNTING SOCKETS STRAIGHT OUTLET	INTERLOCKED SWITCHED SOCKETS WITH SMALL FLANGE	MOBILE SOCKETS	STRAIGHT PLUGS	ANGLED PLUGS	APPLIANCE INLETS	
LV			Female connector	Female connector	Female connector	Female connector	Female connector	Male connector	Male connector	Male connector	Male connector
100 to 130 V <sub>~</sub> 50/60 Hz	16 A	2P+E	5 551 51	5 551 81	0 573 51		5 551 01	5 551 21			0 575 81 <sup>(2)</sup>
		3P+E	5 551 52				5 551 02	5 551 22			
	32 A	2P+E	5 552 51	5 552 81			5 552 11	5 552 31			0 582 81 <sup>(2)</sup>
200 to 250 V <sub>~</sub> 50/60 Hz	16 A	2P+E	5 551 54	5 551 84	0 573 54	0 573 00 <sup>(1)</sup>	5 551 04	5 551 24	0 564 53		0 575 84 <sup>(2)</sup>
		3P+E	5 551 55	5 551 85			5 551 05	5 551 25			0 575 85 <sup>(2)</sup>
		3P+N+E	5 551 56	5 551 86			5 551 06	5 551 26			0 575 86 <sup>(2)</sup>
	32 A	2P+E	5 552 54	5 552 84	0 580 54		5 552 14	5 552 34	0 564 73		0 582 84 <sup>(2)</sup>
		3P+E	5 552 55	5 552 85			5 552 15	5 552 35			
		3P+N+E	5 552 56	5 552 86			5 552 16	5 552 36			0 582 86 <sup>(2)</sup>
380 to 415 V <sub>~</sub> 50/60 Hz	16 A	2P+E	5 551 57				5 551 07	5 551 27			
		3P+E	5 551 58	5 551 88	0 573 58	0 573 01 <sup>(1)</sup>	5 551 08	5 551 28	0 564 57		0 575 88 <sup>(2)</sup>
		3P+N+E	5 551 59	5 551 89	0 573 59	0 573 02 <sup>(1)</sup>	5 551 09	5 551 29	0 564 58		0 575 89 <sup>(2)</sup>
	32 A	2P+E	5 552 57				5 552 17	5 552 37			
		3P+E	5 552 58	5 552 88	0 580 58		5 552 18	5 552 38	0 564 77		0 582 88 <sup>(2)</sup>
		3P+N+E	5 552 59	5 552 89	0 580 59		5 552 19	5 552 39	0 564 78		0 582 89 <sup>(2)</sup>
440 to 460 V <sub>~</sub> 50/60 Hz	16 A	3P+E	5 551 60	5 551 90			5 551 10	5 551 30			
	32 A	3P+E	5 552 60	5 552 90			5 552 20	5 552 40			
480 to 500 V <sub>~</sub> 50/60 Hz	16 A	3P+E	5 551 62	5 551 92			5 551 12	5 551 32			
		3P+N+E	5 551 63	5 551 93			5 551 13	5 551 33			
	32 A	3P+E	5 552 62	5 552 92			5 552 22	5 552 42			
		3P+N+E	5 552 63	5 552 93			5 552 23	5 552 43			

1: Can be fitted only on faceplate Cat.No 0 577 23 (p. 22) - 2: Protection covers not supplied (p. 12)

# P 17 Tempra Pro IP 66/67 - LV 16, 32, 63 and 125 A

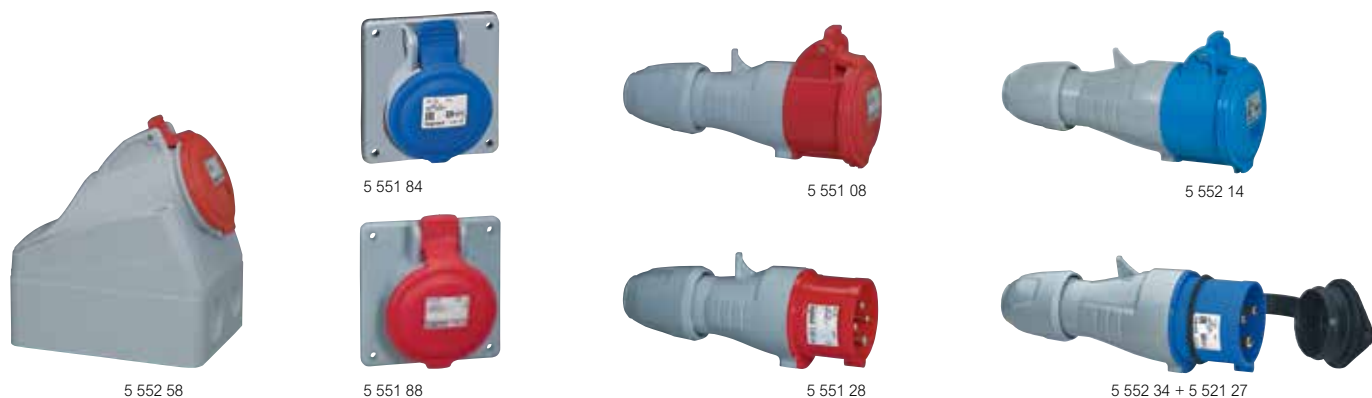
## selection chart

Conform to IEC 60309-1 and IEC 60309-2 IP 44 according to IEC 60529 IK 09 according to IEC 62262 Material: polyamide 6 Self-extinguishing: 850 °C (support of active parts) / 650 °C (plastic housing)			FUNCTIONS						
			SURFACE MOUNTING SOCKETS	PANEL MOUNTING SOCKETS	INTERLOCKED SWITCHED SOCKETS WITH SMALL FLANGE	MOBILE SOCKETS	STRAIGHT PLUGS	ANGLED PLUGS	APPLIANCE INLETS
LV									
			Female connector	Female connector	Female connector	Female connector	Male connector	Male connector	Male connector
100 to 130 V <sub>~</sub> 50/60 Hz	16 A	2P+E	5 553 51	5 553 81		5 553 01	5 553 21		0 568 00
	32 A	2P+E	5 554 51	5 554 81			5 554 31		
200 to 250 V <sub>~</sub> 50/60 Hz	16 A	2P+E	5 553 54	5 553 84	0 573 20 <sup>(1)(2)</sup>	5 553 04	5 553 24	0 565 03	0 568 03
		3P+E	5 553 55	5 553 85		5 553 05	5 553 25		0 568 04
		3P+N+E	5 553 56	5 553 86		5 553 06	5 553 26		
	32 A	2P+E	5 554 54	5 554 84		5 554 14	5 554 34	0 565 23	0 568 23
		3P+E	5 554 55	5 554 85		5 554 15	5 554 35		
		3P+N+E	5 554 56	5 554 86		5 554 16	5 554 36		
	63 A	2P+E	5 555 54	5 555 84		5 555 04	5 555 24		5 555 14
		3P+E	5 555 55	5 555 85		5 555 05	5 555 25		
		3P+N+E	5 555 56	5 555 86		5 555 06	5 555 26		
380 to 415 V <sub>~</sub> 50/60 Hz	16 A	3P+E	5 553 58	5 553 88	0 573 21 <sup>(1)(2)</sup>	5 553 08	5 553 28		0 568 07
		3P+N+E	5 553 59	5 553 89	0 573 22 <sup>(1)(2)</sup>	5 553 09	5 553 29		0 568 08
	32 A	3P+E	5 554 58	5 554 88		5 554 18	5 554 38		0 568 27
		3P+N+E	5 554 59	5 554 89		5 554 19	5 554 39	0 565 28	0 568 28
	63 A	3P+E	5 555 58	5 555 88		5 555 08	5 555 28		5 555 18
		3P+N+E	5 555 59	5 555 89		5 555 09	5 555 29		5 555 19
	125 A	3P+E	5 556 58	5 556 88		5 556 08	5 556 28		5 556 18
		3P+N+E	5 556 59	5 556 89		5 556 09	5 556 29		5 556 19
	440 V <sub>~</sub> 50/60 Hz for refrigerated containers	32 A	3P+E		5 554 91		5 554 21	5 554 41	
480 to 500 V <sub>~</sub> 50/60 Hz	16 A	3P+E	5 553 62	5 553 92		5 553 12	5 553 32		
	32 A	3P+E	5 554 62	5 554 92		5 554 22	5 554 42		
		3P+N+E	5 554 63				5 554 43		
63 A	3P+E	5 555 62	5 555 92		5 555 12	5 555 32			

1: IP 55 - 2: Can be fitted only on faceplate Cat.No 0 577 23 (p. 22)

# P 17 Tempra Pro IP 44 - LV 16 and 32 A

sockets, plugs, mobile sockets, appliance inlets and interlocked switched sockets



Technical characteristics p. 16

## Surface mounting sockets

Pack	Cat.Nos		
	IP 44		Two possible angles (5° or 25°)
	16 A	32 A	<b>200/250 V</b> ~
1015	5 551 54	5 552 54	2P+E
5	5 551 55	5 552 55	3P+E
5	5 551 56	5 552 56	3P+N+E
			<b>380/415 V</b> ~
5	5 551 57	5 552 57	2P+E
10	5 551 58	5 552 58	3P+E
10	5 551 59	5 552 59	3P+N+E

## Panel mounting sockets inclined outlet

Can be fixed on plain faceplates or pre-drilled (p. 22) and on flush mounting boxes (p. 13)

Pack	Cat.Nos		
	IP 44		
	16 A	32 A	<b>200/250 V</b> ~
10	5 551 84	5 552 84	2P+E
5	5 551 85	5 552 85	3P+E
5	5 551 86	5 552 86	3P+N+E
			<b>380/415 V</b> ~
10	5 551 88	5 552 88	3P+E
10	5 551 89	5 552 89	3P+N+E

## Panel mounting sockets straight outlet small flange

Can be fixed only on plain faceplates Cat.Nos 0 577 15/16 (p. 22)

Pack	Cat.Nos		
	IP 44		
	16 A	32 A	<b>200/250 V</b> ~
5	0 573 54	0 580 54	2P+E
			<b>380/415 V</b> ~
5	0 573 58	0 580 58	3P+E
5	0 573 59	0 580 59	3P+N+E

## Interlocked switched sockets with small flange

Dimensions: 125 x 105 mm  
Can be fixed only on faceplate Cat.No 0 577 23 (p. 22)

Pack	Cat.Nos		
	16 A		
	IP 44	IP 55	<b>200/250 V</b> ~
1	0 573 00	0 573 20	2P+E
			<b>380/415 V</b> ~
1	0 573 01	0 573 21	3P+E
1	0 573 02	0 573 22	3P+N+E

## Mobile sockets

Cable clamping and closing without screws Supplied unlocked

Pack	Cat.Nos		
	IP 44		
	16 A	32 A	<b>200/250 V</b> ~
10	5 551 04	5 552 14	2P+E
5	5 551 05	5 552 15	3P+E
5	5 551 06	5 552 16	3P+N+E
			<b>380/415 V</b> ~
5	5 551 07	5 552 17	2P+E
10	5 551 08	5 552 18	3P+E
10	5 551 09	5 552 19	3P+N+E

## Straight plugs

Cable clamping and closing without screws Supplied unlocked

Pack	Cat.Nos		
	IP 44		
	16 A	32 A	<b>200/250 V</b> ~
10	5 551 24	5 552 34	2P+E
5	5 551 25	5 552 35	3P+E
5	5 551 26	5 552 36	3P+N+E
			<b>380/415 V</b> ~
5	5 551 27	5 552 37	2P+E
10	5 551 28	5 552 38	3P+E
10	5 551 29	5 552 39	3P+N+E

## Phase inverter plugs

Straight plugs for changing rotation direction of a 3-phase electric motor

Pack	Cat.Nos		
	IP 44		
	16 A	32 A	<b>380/415 V</b> ~
5	0 574 40	0 581 40	3P+E
5	0 574 41	0 581 41	3P+N+E

## Appliance inlets

Pack	Cat.Nos		
	IP 44		
	16 A	32 A	<b>200/250 V</b> ~
5	0 575 84	0 582 84	2P+E
5	0 575 85	0 582 85	3P+E
5	0 575 86	0 582 86	3P+N+E
			<b>380/415 V</b> ~
5	0 575 88	0 582 88	3P+E
5	0 575 89	0 582 89	3P+N+E

## Protection covers

IP 67  
IP 44 maintained with the plug inserted  
For plugs and appliance inlets:  
2P+E - 16 A  
3P+E - 16 A  
3P+N+E - 16 A / 2P+E and 3P+E - 32 A  
3P+N+E - 32 A

## P 17 Tempra - domestic pin configuration 16 A - 250 V~



0 577 22

Technical characteristics **p.17**

Pack	Cat.Nos	Flush-mounting boxes
3	0 577 21	IP 55 For panel mounting sockets inclined outlet installation (IP 44 or IP 66/67) Flush mounting boxes with faceplates For 2 panel mounting sockets With single fixing centres 70 x 70 mm - 16 A
3	0 577 22	For 1 panel mounting socket With single fixing centres 70 x 70 mm - 16 or 32 A (32 A to be fixed horizontally)

## P 17 Tempra Pro IP 66/67 LV 16 and 32 A



5 554 58



5 554 14



5 554 34



5 553 28

Technical characteristics **p. 19**

Pack	Cat.Nos		Surface mounting sockets
			Two possible angles (5° or 25°)
	16 A	32 A	<b>200/250 V~</b>
5	5 553 54	5 554 54	2P+E
5	5 553 55	5 554 55	3P+E
5	5 553 56	5 554 56	3P+N+E
			<b>380/415 V~</b>
5	5 553 58	5 554 58	3P+E
5	5 553 59	5 554 59	3P+N+E
			<b>Panel mounting sockets</b>
			Can be fixed on the faceplates (p. 22)
	16 A	32 A	<b>200/250 V~</b>
5	5 553 84	5 554 84	2P+E
5	5 553 85	5 554 85	3P+E
5	5 553 86	5 554 86	3P+N+E
			<b>380/415 V~</b>
5	5 553 88	5 554 88	3P+E
5	5 553 89	5 554 89	3P+N+E
			<b>Mobile sockets</b>
			Supplied unlocked
	16 A	32 A	<b>200/250 V~</b>
5	5 553 04	5 554 14	2P+E
5	5 553 05	5 554 15	3P+E
5	5 553 06	5 554 16	3P+N+E
			<b>380/415 V~</b>
5	5 553 08	5 554 18	3P+E
5	5 553 09	5 554 19	3P+N+E
			<b>Straight plugs</b>
			Supplied unlocked
	16 A	32 A	<b>200/250 V~</b>
5	5 553 24	5 554 34	2P+E
5	5 553 25	5 554 35	3P+E
5	5 553 26	5 554 36	3P+N+E
			<b>380/415 V~</b>
5	5 553 28	5 554 38	3P+E
5	5 553 29	5 554 39	3P+N+E
			<b>Appliance inlets</b>
			<b>200/250 V~</b>
5	0 568 03	0 568 23	2P+E
5	0 568 04	-	3P+E
			<b>380/415 V~</b>
5	0 568 07	0 568 27	3P+E
5	0 568 08	0 568 28	3P+N+E

## P 17 Tempra Pro IP 66/67 LV 32 A for refrigerated containers



6 571 06



5 554 21

Pack	Cat.Nos	Combined unit, plug and mobile socket for refrigerated containers
1	6 571 06	32 A - 440 V $\sim$ - 50/60 Hz - 3P+E - 3 hours IK 09 Plastic body and cover - Stainless steel screws Combined unit with interlocked switched socket - Double mechanical interlock - Cable glands are not supplied
5	5 554 91	Panel mounting socket
5	5 554 21	Mobile socket With cable grip $\varnothing$ 12 to 21.5 mm
5	5 554 41	Straight plug With cable grip $\varnothing$ 12 to 21.5 mm

## P 17 Tempra Pro IP 66/67 LV 63 and 125 A

AVAILABLE FROM  
JUNE 2017

N



5 555 59



5 555 89

Easy connection  
disconnection



5 555 29



5 555 09

Technical characteristics p. 20

Pack	Cat.Nos		Surface mounting sockets
2	63 A	125 A	<b>200/250 V<math>\sim</math></b> 2P+E 3P+E 3P+N+E
2	5 555 54		
2	5 555 55		
2	5 555 56		
2	1	5 555 58	<b>380/415 V<math>\sim</math></b> 3P+E 3P+N+E
2	1	5 555 59	5 556 58 5 556 59

Pack	Cat.Nos		Panel mounting sockets
Can be fixed on the faceplates Cat.Nos 0 577 17/19 (p. 22)			
2	63 A	125 A	<b>200/250 V<math>\sim</math></b> 2P+E 3P+E 3P+N+E
2	5 555 84		
2	5 555 85		
2	5 555 86		
2	1	5 555 88	<b>380/415 V<math>\sim</math></b> 3P+E 3P+N+E
2	1	5 555 89	5 556 88 5 556 89

Pack	Cat.Nos		Straight plugs IP 69
2	63 A	125 A	<b>200/250 V<math>\sim</math></b> 2P+E 3P+E 3P+N+E
2	5 555 24		
2	5 555 25		
2	5 555 26		
2	1	5 555 28	<b>380/415 V<math>\sim</math></b> 3P+E 3P+N+E
2	1	5 555 29	5 556 28 5 556 29

Pack	Cat.Nos		Mobile sockets IP 69
2	63 A	125 A	<b>200/250 V<math>\sim</math></b> 2P+E 3P+E 3P+N+E
2	5 555 04		
2	5 555 05		
2	5 555 06		
2	1	5 555 08	<b>380/415 V<math>\sim</math></b> 3P+E 3P+N+E
2	1	5 555 09	5 556 08 5 556 09

Pack	Cat.Nos		Appliance inlets
2	63 A	125 A	<b>200/250 V<math>\sim</math></b> 2P+E
2	5 555 14		
2	1	5 555 18	<b>380/415 V<math>\sim</math></b> 3P+E 3P+N+E
2	1	5 555 19	5 556 18 5 556 19

# Power supply made easy



- Provide temporary power supplies on building sites and for events
- 2 types of worksites combined units:
  - individual units (ready to use or to be equipped)
  - floor cabinets (to be equipped)
- Can take P17 Tempra Pro panel mounting sockets, Arteor sockets outlets (via the dedicated adaptor)
- Easy to hang on a wall without having to open the unit



# P 17 Tempra Pro IP 44 - LV 16 and 32 A

## Characteristics

Terminal connection:

- Panel and surface mounting sockets

- 16 A: max. 1 x 4 mm<sup>2</sup> rigid

- 32 A: max. 1 x 10 mm<sup>2</sup> rigid

- Appliance inlets:

- 16 A: max. 1 x 2.5 mm<sup>2</sup> rigid

- 32 A: max. 1 x 6 mm<sup>2</sup> rigid

- Plugs and mobile sockets:

- 16 A: max. 1 x 2.5 mm<sup>2</sup> flexible

- 32 A: max. 1 x 6 mm<sup>2</sup> flexible

IP 44 according to IEC and EN 60529

IK 08 according to EN 50102 for interlocked switched sockets with small flange

IK 09 according to IEC 62262 and EN 62262

Material: polyamide 6

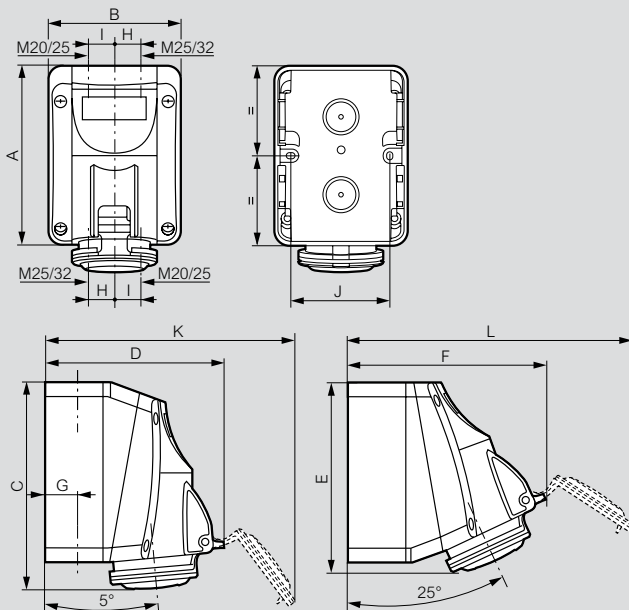
Self-extinguishing: 850 °C (support of active parts) / 650 °C (plastic housing)

- 25 °C to + 40 °C according to IEC 60309-1

## Dimensions

### Surface mounting sockets

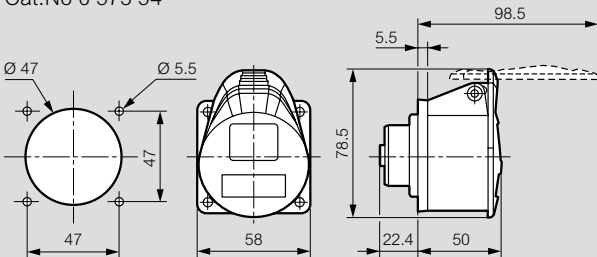
Cat.Nos 5 551 54/55/56/57/58/59 and 5 552 54/55/56/57/58/59



	A	B	C	D	E	F	G	H	I	J	K	L
<b>LV 16 A</b>												
2P+E	125	93	147	126	138	139	22	17	20	70	176	195
3P+E	125	93	147	134	138	147	22	17	20	70	190	210
3P+N+E	125	93	147	140	138	153	22	17	20	70	201	221
<b>LV 32 A</b>												
2P+E	150	113	174	156	163	172	28	22	26	90	220	245
3P+E	150	113	174	156	163	172	28	22	26	90	220	245
3P+N+E	150	113	174	162	163	177	28	22	26	90	230	256

### Panel mounting socket straight outlet small flange

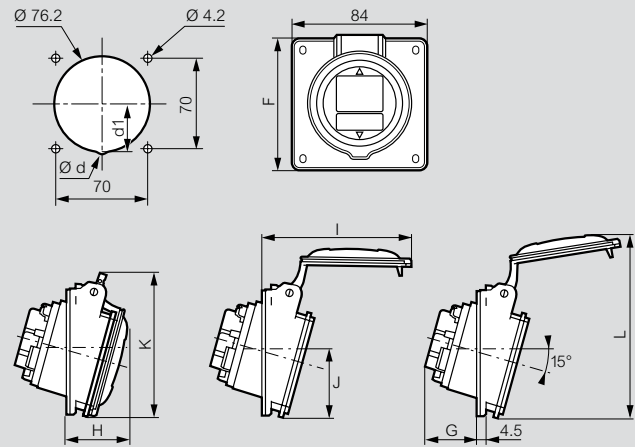
Cat.No 0 573 54



Weight (kg) = 0.105

### Panel mounting sockets inclined outlet

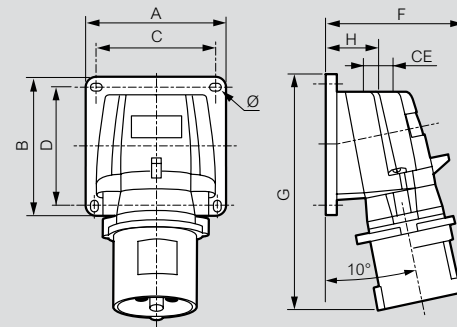
Cat.Nos 0 551 84/85/86/88/89 and 5 552 84/85/86/88/89



	Ød	d1	F	G	H	I	J	K	L
<b>LV 16 A</b>									
2P+E	-	-	84	33.5	37.5	85	42	88.5	112.5
3P+E	-	-	84	35.5	38.5	93	42	91.5	118.5
3P+N+E	-	-	84	36.5	39.5	100	43.3	97	123.5
<b>LV 32 A</b>									
2P+E	-	-	94	41.5	45.5	110	47	102	131
3P+E	-	-	94	42.5	46.5	117	47	107.5	138

### Appliance inlets

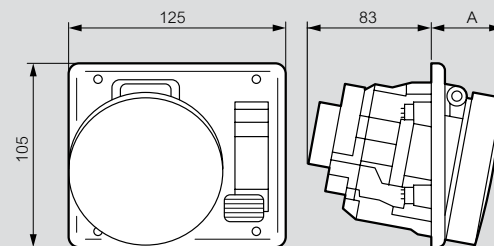
Cat.Nos 0 575 84/88/89 and 0 582 84/88/89



	Weight (kg)	A	B	C	D	F	G	H	CE	Ø
<b>LV 16 A</b>										
2P+E	0.168	84	84	72	72	77	126	34	M20	4.3
3P+E	0.232	84	84	72	72	84	134	34	M20	4.3
3P+N+E	0.256	84	84	72	72	91	141	34	M20	4.3
<b>LV 32 A</b>										
2P+E	0.325	110	110	98	98	96	168	39	M25	5.3
3P+E	0.364	110	110	98	98	102	168	39	M25	5.3

### Interlocked switched sockets with small flange

Cat.Nos 0 573 00/01/02 and 0 573 20/21/22



	16 A	IP	A	IP	A
2P+E	44	38	55	45	
3P+E	44	38	55	45	
3P+N+E	44	38	55	45	

## P 17 Tempra Pro IP 44 - LV 16 and 32 A

mobile products

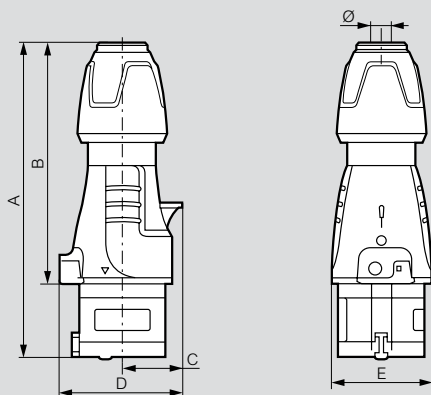
## P 17 Tempra domestic pin configuration

16 A - 250 V $\sim$

### Dimensions

#### Straight plugs

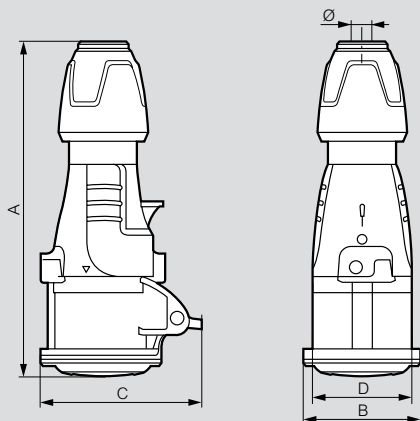
Cat.Nos 5 551 24/25/26/27/28/29 and 5 552 34/35/36/37/38/39



	A	B	C	D	E	Ø
<b>LV 16 A</b>						
2P+E	146 to 157	109.5 to 120.5	30	61	50	6.5 to 14
3P+E	146 to 157	109.5 to 120.5	34	67	55	7.10 to 15.5
3P+N+E	163 to 176	126.5 to 139.5	38	76	65	8 to 20
<b>LV 32 A</b>						
2P+E	172 to 185	127 to 140	40	78	65	8 to 20
3P+E	172 to 185	127 to 140	40	78	65	8 to 20
3P+N+E	179 to 189	133 to 143	45	86	71	11.9 to 22.2

#### Mobile sockets

Cat.Nos 5 551 04/05/06/07/08/09 and 5 552 14/15/16/17/18/19



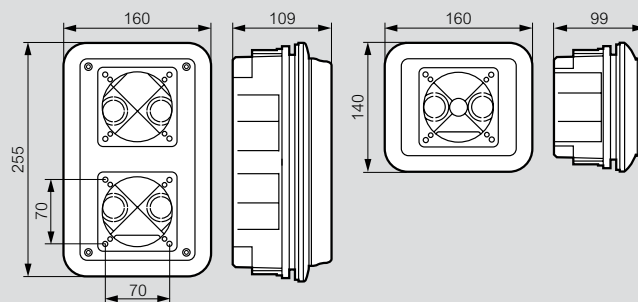
	A	B	C	D	Ø
<b>LV 16 A</b>					
2P+E	156 to 167	59	81	50	6.5 to 14
3P+E	157 to 168	65	88	55	7.10 to 15.5
3P+N+E	175 to 188	72	94	65	8 to 20
<b>LV 32 A</b>					
2P+E	184 to 197	73	99	65	8 to 20
3P+E	184 to 197	73.5	99	65	8 to 20
3P+N+E	190 to 203	79.5	105	71	11.9 to 22.2

### Dimensions

#### Flush mounting boxes

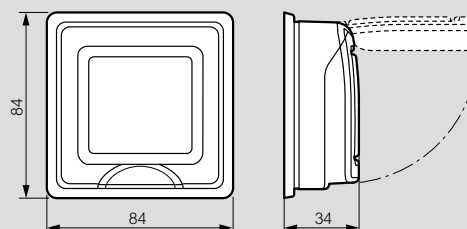
Cat.No 0 577 21

Cat.No 0 577 22



#### Panel mounting adaptor

Cat.No 0 539 48



# P 17 Tempra IP 44 - ELV 16 and 32 A

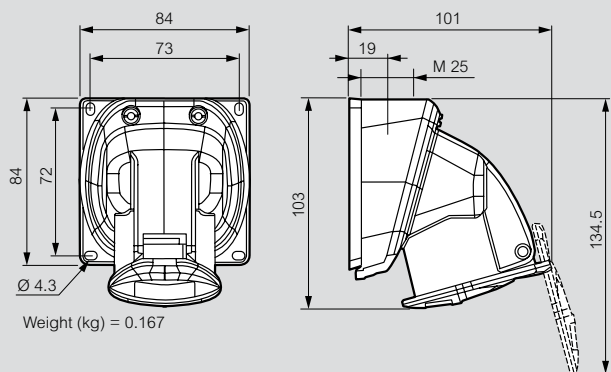
## Characteristics

Terminal connection:  
 Max. 1 x 10 mm<sup>2</sup> (rigid for fixed products flexible for mobile products)  
 IP 44 according to IEC 60529 and EN 60529  
 IK 09 according to IEC 62262 and EN 62262  
 Material: plastic  
 Self-extinguishing: 850 °C (support of active parts) / 650 °C (plastic housing)  
 Temp. rating: - 25 °C to + 40 °C  
 Conform to IEC 60309-1 / IEC 60309-2 and EN 60309-1 / EN 60309-2

## Dimensions

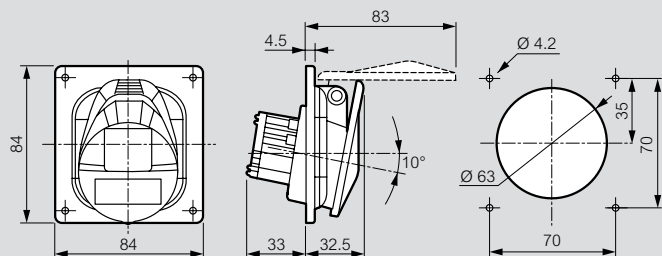
### Surface mounting sockets

Cat.Nos 0 552 06/56



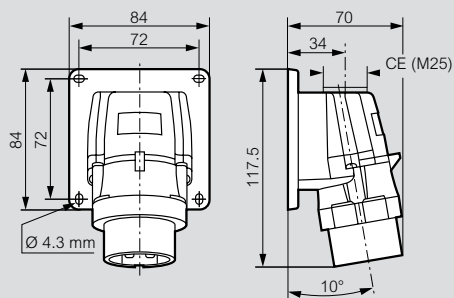
### Panel mounting sockets

Cat.Nos 0 552 45/95



### Appliance inlets

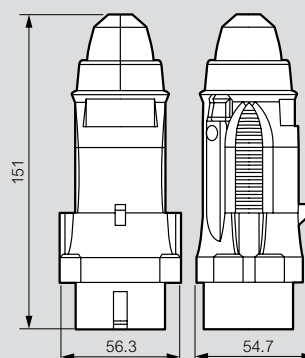
Cat.Nos 0 552 41/91



## Dimensions ELV 16 and 32 A

### Straight plugs

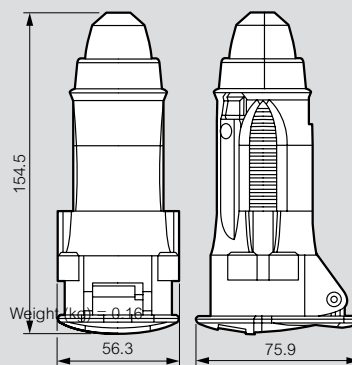
Cat.Nos 0 555 21/71



Weight (kg) = 0.132

### Mobile sockets

Cat.Nos 0 552 31/81



# P 17 Tempra Pro IP 66/67 - LV 16 and 32 A

## Characteristics

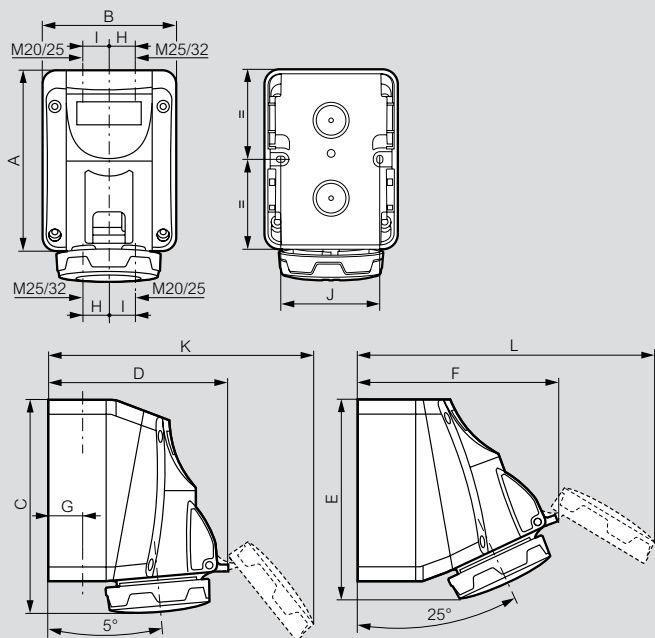
Terminal connection:

- Panel and surface mounting sockets
  - 16 A: max. 1 x 4 mm<sup>2</sup> rigid - 32 A: max. 1 x 10 mm<sup>2</sup> rigid
  - Plugs, mobile sockets:
  - 16 A: max. 1 x 2.5 mm<sup>2</sup> flexible - 32 A: max. 1 x 6 mm<sup>2</sup> flexible
  - Appliance inlets:
  - 16 A: max. 1 x 2.5 mm<sup>2</sup> rigid - 32 A: max. 1 x 6 mm<sup>2</sup> rigid
- IP 66/67 according to IEC 60529 and EN 60529  
 IK 09 according to IEC 62262 and EN 62262  
 Material: polyamide 6  
 Self-extinguishing: 850 °C (support of active parts) / 650 °C (plastic housing)  
 Temp. rating: - 25 °C to + 40 °C  
 Conform to IEC 60309-1 and IEC 60309-2

## Dimensions

### Surface mounting sockets

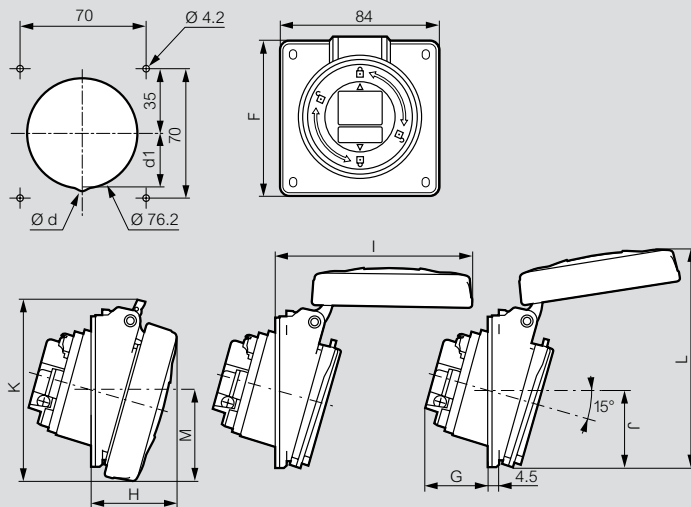
Cat.Nos 5 553 54/55/56/58/59 and 5 554 54/55/56/58/59



	A	B	C	D	E	F	G	H	I	J	K	L
<b>LV 16 A</b>												
2P+E	125	93	144	125	131	137	22	17	20	70	178	200
3P+E	125	93	144	133	131	145	22	17	20	70	194	215
3P+N+E	125	93	144	139	131	150	22	17	20	70	205	227
<b>LV 32 A</b>												
2P+E	150	113	171	155	156	170	28	22	26	90	224	250
3P+E	150	113	171	161	156	175	28	22	26	90	231	260
3P+N+E	150	113	171	161	156	175	28	22	26	90	231	260

## Panel mounting sockets

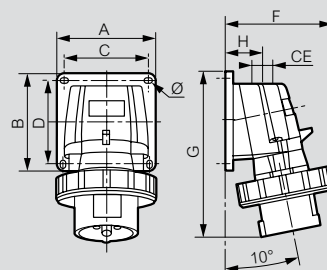
Cat.Nos 5 553 84/85/86/88/89 and 5 554 84/85/86/88/89



	Dimensions (mm)									
	Ød	d1	F	G	H	I	M	J	L	K
<b>LV 16 A</b>										
2P+E	-	-	84	33.5	42	94	42.5	42	114	88
3P+E	-	-	84	35.5	43	101	46	42	118	94.5
3P+N+E	-	-	84	36.5	44	108.5	50	42.5	123	101
<b>LV 32 A</b>										
2P+E/ 3P+E	-	-	94	41.5	50.5	118	54.5	47.5	129.5	105.5
3P+N+E	8	36	94	42.5	51.5	124.5	57.5	51	137	112

## Appliance inlets

Cat.Nos 0 568 03/04/07/08/23/27/28



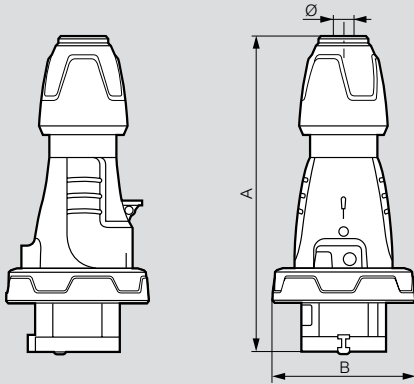
	Weight (kg)	A/B	C/D	F	G	H	CE	Ø
<b>LV 16 A</b>								
2P+E	0.188	84	72	87	126	34	M 20	4.3
3P+E	0.257	84	72	95	134	34	M 20	4.3
3P+N+E	0.297	84	72	100	141	34	M 20	4.3
<b>LV 32 A</b>								
2P+E	0.370	110	98	107	168	39	M 25	5.3
3P+E	0.370	110	98	107	168	39	M 25	5.3
3P+N+E	0.413	110	98	113	168	39	M 25	5.3

## P 17 Tempra Pro IP 66/67 LV 16 and 32 A - mobile products

### Dimensions

#### Straight plugs

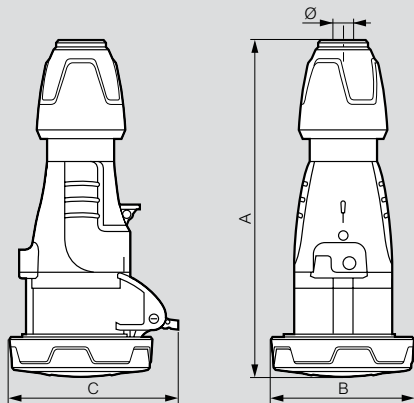
Cat.Nos 5 553 24/25/26/28/29 and 5 554 34/35/36/38/39



	A	B	Ø
<b>LV 16 A</b>			
2P+E	146 to 157	72.5	6.5 to 14
3P+E	146 to 157	80.5	7.10 to 15.5
3P+N+E	163 to 176	89	8 to 20
<b>LV 32 A</b>			
2P+E	172 to 185	93	8 to 20
3P+E	172 to 185	93	8 to 20
3P+N+E	179 to 189	100	11.9 to 22.2

#### Mobile sockets

Cat.Nos 5 553 04/05/06/08/09 and 5 554 14/15/16/18/19



	A	B	C	Ø
<b>LV 16 A</b>				
2P+E	159 to 170	72.5	86	6.5 to 14
3P+E	159 to 170	80.5	93	7.1 to 15.5
3P+N+E	179 to 190	89	100	8 to 20
<b>LV 32 A</b>				
2P+E	187 to 200	93	104	8 to 20
3P+E	187 to 200	93	104	8 to 20
3P+N+E	192 to 205	100	110.5	11.9 to 22.2

## P 17 Tempra Pro IP 66/67 - LV 63 A

### Characteristics

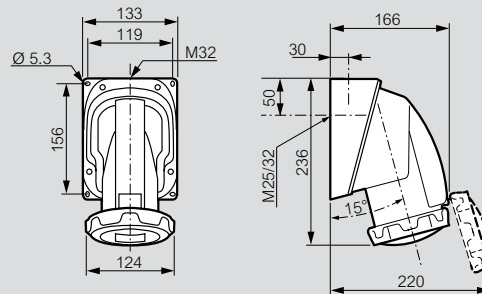
Terminal connection:

- Panel and surface mounting sockets  
63 A: max. 1 x 25 mm<sup>2</sup> rigid - 125 A: max. 1 x 70 mm<sup>2</sup> rigid
  - Appliance inlets:  
63 A: max. 1 x 16 mm<sup>2</sup> rigid - 125 A: max. 1 x 50 mm<sup>2</sup> rigid
  - Plugs and mobile sockets:  
63 A: max. 1 x 16 mm<sup>2</sup> flexible - 125 A: max. 1 x 50 mm<sup>2</sup> flexible
- IP 66/67 according to IEC 60529 and EN 60529  
IK 09 according to IEC 62262 and EN 62262  
Material: plastic  
Self-extinguishing: 850 °C (support of active parts) / 650 °C (plastic housing)  
Temp. rating: - 25 °C to + 40 °C. According to IEC 60309-1 and IEC 60309-2

### Dimensions

#### Surface mounting sockets

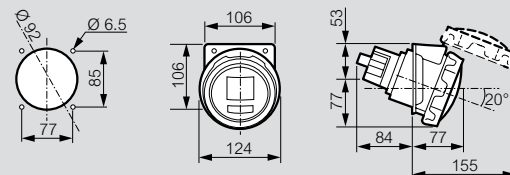
Cat.Nos 5 555 54/55/56/58/59



	Weight (kg)
3P+E	0.900
3P+N+E	0.950

#### Panel mounting sockets (inclined outlet)

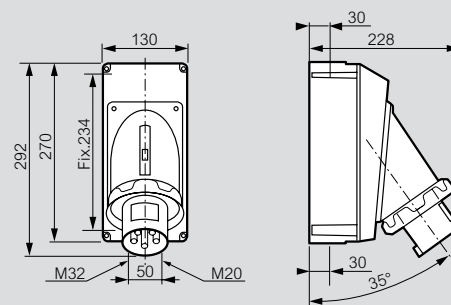
Cat.Nos 5 555 84/85/86/88/89



	Weight (kg)
3P+E	0.710
3P+N+E	0.770

#### Appliance inlets

Cat.Nos 5 555 14/18/19



	Weight (kg)
3P+E	1.540
3P+N+E	1.610

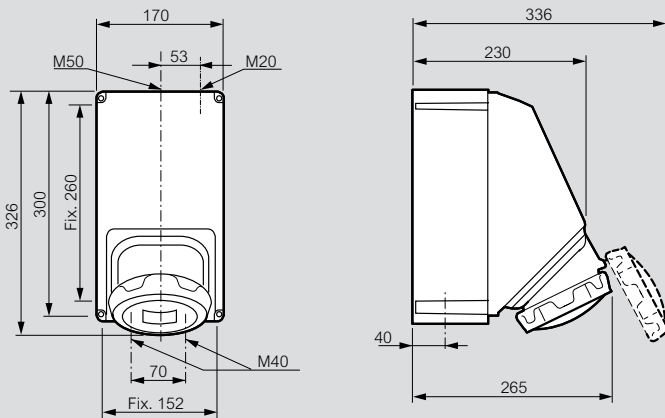
## P 17 Tempra Pro IP 66/67 - LV 125 A

## P 17 Tempra Pro IP 66/67 - LV 63 and 125 A mobile products

### ■ Dimensions

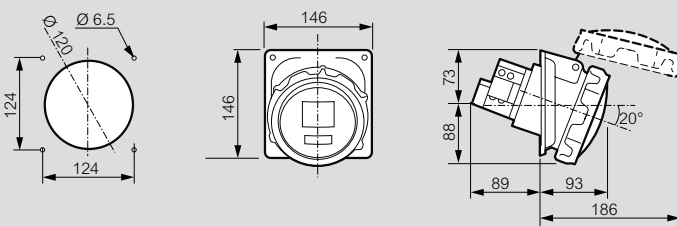
#### Surface mounting sockets

Cat.Nos 5 556 58/59



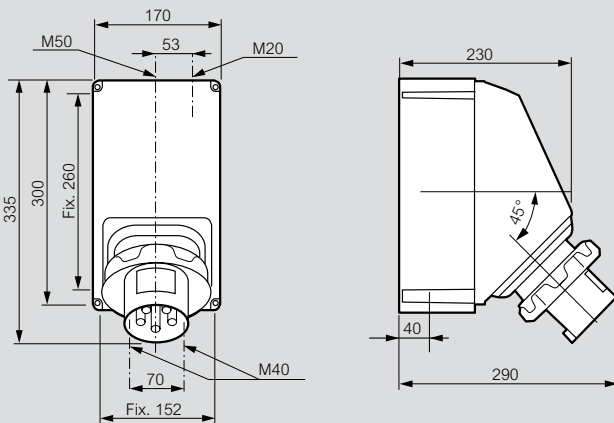
#### Panel mounting sockets

Cat.Nos 5 556 88/89



#### Appliance inlets

Cat.Nos 5 556 18/19

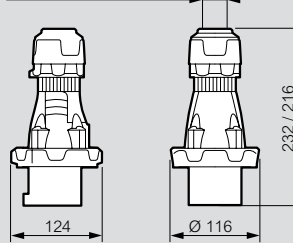


### ■ Dimensions LV 63 A

#### Straight plugs

Cat.Nos 5 555 24/25/26/28/29

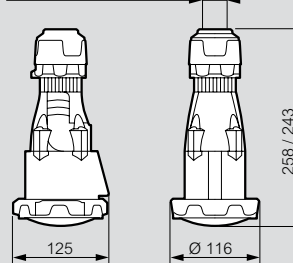
2P+T : Ø14,1 / 27.6  
3P+T : Ø15.7 / 30.1  
3P+N+T : Ø17.5 / 33



#### Mobile sockets

Cat.Nos 5 555 04/05/06/08/09

2P+T : Ø14,1 / 27.6  
3P+T : Ø15.7 / 30.1  
3P+N+T : Ø17.5 / 33

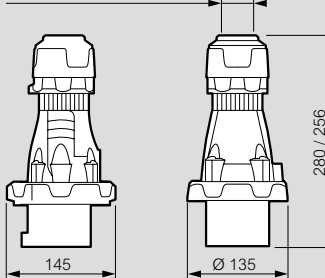


### ■ Dimensions LV 125 A

#### Straight plugs

Cat.Nos 5 556 28/29

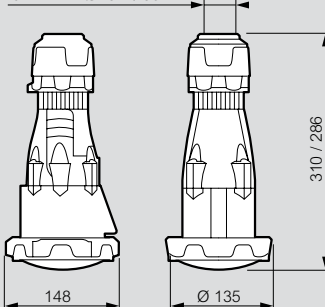
3P+T : Ø23.8 / 47.5  
3P+N+T : Ø26.4 / 50



#### Mobile sockets

Cat.Nos 5 556 08/09

3P+T : Ø23.8 / 47.5  
3P+N+T : Ø26.4 / 50



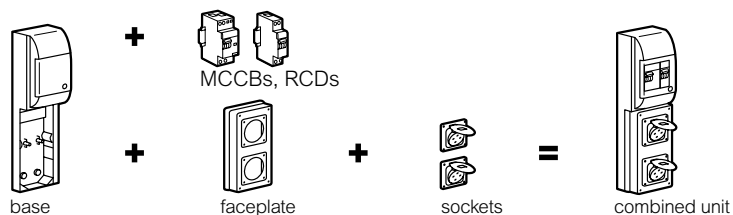
# P17 Tempra combined units to be composed

- IK 08 according to IEC 62262
- Self-extinguishing: 650 °C
- Max. IP 66



Bases and faceplates dimensions p. 24

## Example of combined unit configuration



## COMBINED UNITS HEIGHT 220 MM TO 441 MM

### BASES FOR 220 x 125 MM FACEPLATES - MAX IP 66

Surface mounting box	Base up to 2 sockets 16 A	Base up to 4 sockets 16 A	Base up to 6 sockets 16 A
220 x 125 mm <sup>(4)</sup>	371 x 125 mm <sup>(4)</sup> Rail 5 modules 17.5 mm	441 x 265 mm <sup>(4)</sup> Rail 12 modules 17.5 mm	441 x 405 mm <sup>(4)</sup> Rail 18 modules 17.5 mm
<b>Pack</b>	<b>Cat.No</b>	<b>Pack</b>	<b>Cat.No</b>
1	0 577 10	1	0 589 38
		1	0 577 05 <sup>(7)</sup>
		1	0 577 06 <sup>(7)</sup>

### 220 X 125 MM FACEPLATES

1 socket 16 or 32 A	2 sockets 16 A	1 socket 63 A	Plain plate
<b>Pack</b>	<b>Cat.No</b>	<b>Pack</b>	<b>Cat.No</b>
5	0 577 12	5	0 577 13 <sup>(1)</sup>
		2	0 577 17
		5	0 577 15

## COMBINED UNITS HEIGHT 280 MM TO 501 MM

### BASES FOR 280 x 125 MM FACEPLATES - MAX IP 66

Surface mounting box	Base up to 3 sockets 16 A	Base up to 6 sockets 16 A	Base up to 9 sockets 16 A
280 x 125 mm <sup>(4)</sup>	421 x 125 mm <sup>(4)</sup> Rail 5 modules 17.5 mm	501 x 265 mm <sup>(4)</sup> Rail 12 modules 17.5 mm	501 x 405 mm <sup>(4)</sup> Rail 18 modules 17.5 mm
<b>Pack</b>	<b>Cat.No</b>	<b>Pack</b>	<b>Cat.No</b>
3	0 577 11	1	0 577 20
		1	0 577 03 <sup>(7)</sup>
		1	0 577 04 <sup>(7)</sup>

### 280 x 125 MM FACEPLATE

2 sockets 16 or 32 A	2 interlocked switched sockets 16 A	1 socket 16 or 32 A and 1 socket 63 A	3 sockets 16 A <sup>(2)</sup>	Plain plate	
<b>Pack</b>	<b>Cat.No</b>	<b>Pack</b>	<b>Cat.No</b>	<b>Pack</b>	<b>Cat.No</b>
4	0 577 18 <sup>(1)</sup>	1	0 577 23	2	0 577 19 <sup>(1)</sup>
				4	0 577 14 <sup>(1)</sup>
				4	0 577 16

1: Supplied with blanking plate - 2: To be fixed horizontally except 16 A domestic pin sockets, vertically (IP 44 - connected) - 3: IP 54 cover closed - IP 44 connected  
4: External dimensions: H x W - 5: Interlocked switched socket with small flange - 6: IP 55 - Interlocked switched socket with small flange - 7: Can be used with the wall mounting lugs Cat.No 0 019 69



0 577 04 with emergency stop button, appliance inlet and interlocked switched sockets



0 577 20 with interlocked switched sockets

### EXAMPLE OF SOCKETS

ELV (p. 13)			IP 44		
20/25 V~	16 A	2P	0 552 45		
	32 A	2P	0 552 95		
Domestic pin (p. 13)			IP 54 <sup>(3)</sup>		
250 V	16 A	2P+E	0 576 72/76		
LV (p. 12 to 15)			IP 44	IP 66-67	
200/250 V~	16 A	2P+E	5 551 84	5 553 84	
	32 A	2P+E	5 552 84	5 554 84	
	63 A	2P+E	-	5 555 84	
380/415 V~	16 A	3P+E	5 551 88	5 553 88	
		3P+N+E	5 551 89	5 553 89	
	32 A	3P+E	5 552 88	5 554 88	
		3P+N+E	5 552 89	5 554 89	
	63 A	3P+E	-	5 555 88	
		3P+N+E	-	5 555 89	

### Examples of most common combinations with bases for 220 x 125 mm faceplates

Base	Total number of sockets on the base	Socket combination	Face plate according to the socket intensity		
			16 A	32 A	63 A
0 577 10 or 0 589 38	1	1 x 16 A or 1 x 32 A or 1 x 63 A	0 577 12	0 577 12	0 577 17
	2	2 x 16 A	0 577 13	-	-
0 577 05	2	2 x 16 A or 2 x 32 A or 2 x 63 A	0 577 12 x 2	0 577 12 x 2	0 577 17 x 2
		1 x 16 A + 1 x 32 A	0 577 12	0 577 12	-
		1 x 16 or 32 A + 1 x 63 A	0 577 12		0 577 17
	3	3 x 16 A	0 577 12 + 0 577 13	-	-
0 577 06	3	3 x 16 A or 3 x 32 A or 3 x 63 A	0 577 12 x 3	0 577 12 x 3	0 577 17 x 3
		1 x 16 or 32 A + 2 x 63 A	0 577 12		0 577 17 x 2
		2 x 16 or 32 A + 1 x 63 A	0 577 12 x 2		0 577 17
	4	2 x 16 A + 1 x 32 A + 1 x 63 A	0 577 13	0 577 12	0 577 17
		2 x 16 A + 2 x 32 A	0 577 13	0 577 12 x 2	-
		2 x 16 A + 2 x 63 A	0 577 13	-	0 577 17 x 2
	5	4 x 16 A + 1 x 32 A	0 577 13 x 2	0 577 12	-
		4 x 16 A + 1 x 63 A	0 577 13 x 2	-	0 577 17
		16 A	0 577 13 x 3	-	-
		6	16 A	0 577 13 x 3	-

### EXAMPLE OF SOCKETS

ELV (p. 13)			IP 44		
20/25 V~	16 A	2P	0 552 45		
	32 A	2P	0 552 95		
Domestic pin (p. 13)			IP 54 <sup>(3)</sup>		
250 V	16 A	2P+E	0 576 72/76		
LV (p. 12 to 15)			IP 44	IP 66-67	
200/250 V~	16 A	2P+E	5 551 84	5 553 84	
	32 A	2P+E	5 552 84	5 554 84	
	63 A	2P+E	-	5 555 84	
380/415 V~	16 A	3P+E	5 551 88	5 553 88	
		3P+N+E	5 551 89	5 553 89	
	32 A	3P+E	5 552 88	5 554 88	
		3P+N+E	5 552 89	5 554 89	
	63 A	3P+E	-	5 555 88	
		3P+N+E	-	5 555 89	

### Examples of most common combinations with bases for 280 x 125 mm faceplates

Base	Total number of sockets on the base	Socket combination	Face plate according to the socket intensity		
			16 A	32 A	63 A
0 577 11 or 0 577 20	2	2 x 16 A or 2 x 32 A	0 577 18		-
	3	2 x 16 A interlocked sw.	0 577 23	-	-
0 577 03	4	3 x 16 A	0 577 14	-	-
		4 x 16 A or 4 x 32 A	0 577 18 x 2		
		2 x 16 or 32 A + 2 x 63 A	0 577 19 x 2		
	5	3 x 16 or 32 A + 1 x 63 A	0 577 18 + 0 577 19		
		4 x 16 A interlocked sw.	0 577 23 x 2	-	-
0 577 04	6	3 x 16 A + 1 x 16 or 32 A + 1 x 63 A	0 577 14 + 0 577 19		
		3 x 16 A + 2 x 16 or 32 A	0 577 14 + 0 577 18	-	-
		6 x 16 A or 32 A	0 577 18 x 3		
	7	3 x 16 or 32 A + 3 x 63 A	0 577 19 x 3		
		5 x 16 or 32 A + 1 x 63 A	0 577 18 x 2 + 0 577 19		
		4 x 16 or 32 A + 2 x 63 A	0 577 18 + 0 577 19 x 2		
		6 x 16 A interlocked sw.	0 577 23 x 3	-	-
	8	3 x 16 A + 2 x 16 or 32 A + 2 x 63 A	0 577 14 + 0 577 19 x 2		
		3 x 16 A + 4 x 16 or 32 A	0 577 14 + 0 577 18 x 2		
	9	3 x 16 A + 3 x 16 or 32 A + 1 x 63 A	0 577 14 + 0 577 18 + 0 577 19		
6 x 16 A + 1 x 16 or 32 A + 1 x 63 A		0 577 14 x 2 + 0 577 19			
9	6 x 16 A + 2 x 16 or 32 A	0 577 14 x 2 + 0 577 18			
9	16 A	0 577 14 x 3	-	-	

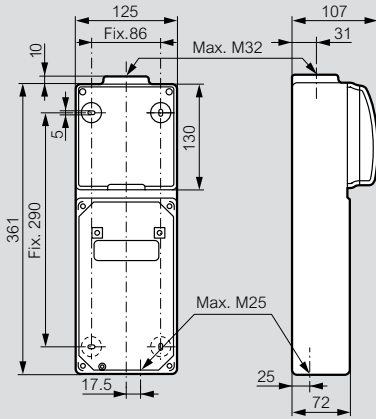
# P 17 Tempra combined units to be composed

## Dimensions

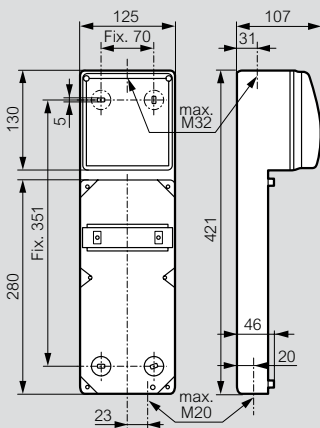
Cable glands are not supplied  
Entries to drill

### Bases

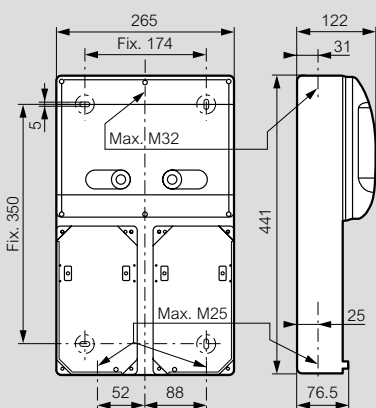
Cat.No 0 589 38



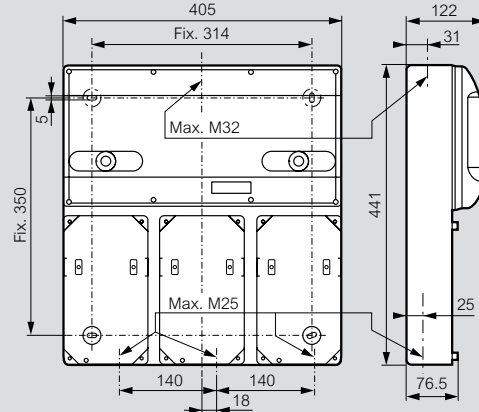
Cat.No 0 577 20



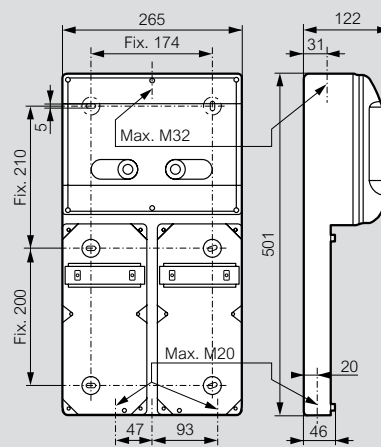
Cat.No 0 577 05



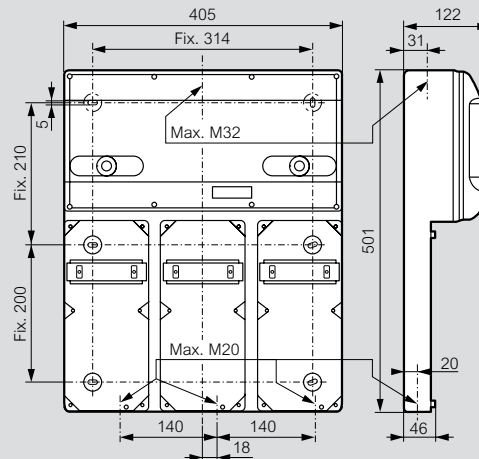
Cat.No 0 577 06



Cat.No 0 577 03

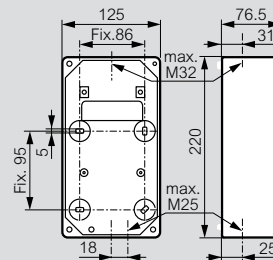


Cat.No 0 577 04

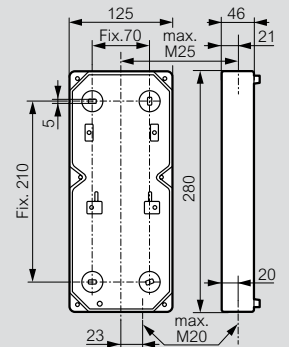


### Surface mounting boxes

Cat.No 0 577 10



Cat.No 0 577 11



## P 17 Tempra combined units LV 16 to 63 A

interlocked switched sockets

16-32 A			without rail				with empty Din rail			
<ul style="list-style-type: none"> <li>• IP 44, IP 55, IP 66 according to IEC 60529 and EN 60529</li> <li>• IK 08 according to IEC 62262</li> <li>• Conform to IEC 60439-1</li> <li>• Supplied without cable glands</li> <li>• Self-extinguishing: 650 °C</li> </ul>			125 x 220 mm				125 x 280 mm			
			IP 44		IP 55		IP 44		IP 66	
Pack	Cat.Nos	Pack	Cat.Nos	Pack	Cat.Nos	Pack	Cat.Nos	Pack	Cat.Nos	
200 to 250 V ~ 50/60 Hz	16 A	2P+E	1	0 566 01	1	0 566 21	1	0 566 41	1	0 566 61
	32 A	2P+E	1	0 566 09	1	0 566 29	1	0 566 49	1	0 566 69
380 to 415 V ~ 50/60 Hz	16 A	3P+E	1	0 566 05	1	0 566 25	1	0 566 45	1	0 566 65
		3P+N+E	1	0 566 06	1	0 566 26	1	0 566 46	1	0 566 66
	32 A	3P+E	1	0 566 13	1	0 566 33	1	0 566 53	1	0 566 73
		3P+N+E	1	0 566 14	1	0 566 34	1	0 566 54	1	0 566 74

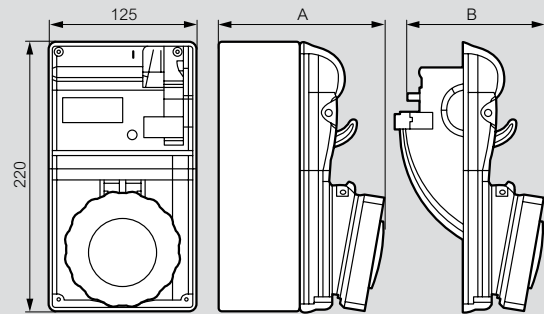
63 A		with empty Din rail		
<ul style="list-style-type: none"> <li>• IP 66 according to IEC 60529 and EN 60529</li> <li>• IK 08 according to IEC 62262</li> <li>• Conform to IEC 60439-1</li> <li>• Supplied without cable glands</li> <li>• Self-extinguishing: 650 °C</li> </ul>		<b>IP 66</b> 		
		Pack	Cat.Nos	
380 to 415 V ~ 50/60 Hz	63 A	3P+E	1	0 589 18
		3P+N+E	1	0 572 99

## P 17 Tempra combined units LV 16 to 63 A

interlocked switched sockets

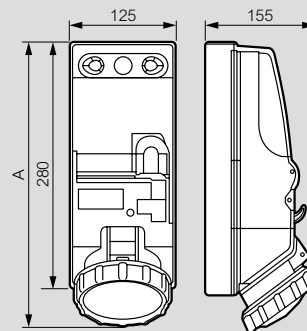
### Dimensions

Without rail  
LV 16/32 A



	IP 44 Cat.Nos	Dimensions (mm)		IP 55 Cat.Nos	Dimensions (mm)		
		A	B		A	B	
LV 16 A	2P+E	0 566 01	127	122	0 566 21	133	128
	3P+E	0 566 05	129	124	0 566 25	134	129
	3P+N+E	0 566 06	130	125	0 566 26	135	130
LV 32 A	2P+E	0 566 09	138	133	0 566 29	143	138
	3P+E	0 566 13	138	133	0 566 33	143	138
	3P+N+E	0 566 14	139	134	0 566 34	144	139

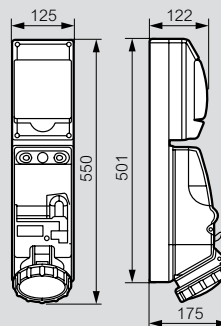
With empty Din rail  
LV 16/32 A



	A	
	IP 44	IP 66
LV 16 A	290	300
LV 32 A	295	310

### LV 63 A

Cat.Nos 0 589 18 and 0 572 99



## P 17 worksites combined units

### individual units



0 589 44

0 589 45

0 589 43

Technical characteristics p. 27

Conforming to standard IEC 60439-4 and the decree of 14 November 1988 on the protection of workers, and to the recommendations of the OPPBTP (French professional organisation for accident prevention in building and civil engineering)  
Provide temporary power supplies on building sites and for events  
RAL 7016 and RAL 7035

Pack	Cat.Nos	Individual units
1	0 589 44	<p>Worksite combined units with integrated handle (can be fitted with security chain), to provide a power supply for portable electric tools Material: body ABS - window polycarbonate Operating temperature: - 25 °C to + 40 °C Easy to hang on a wall without having to open the unit (fixed via the outside of the unit) Replaceable window (spare part on request) Notches on each side for winding up the cord The cord can be locked for transport Dimensions (H x W): 506.5 x 181.5 mm</p> <p><b>With 6 sockets</b> IP 54 - body IK 10 Composition: - 6 x 2P+E 16 A, German standard sockets (Cat.No 0 576 75) - Protection by 30 mA 2-pole RCBO With 3 m cord Fitted with a domestic pin plug</p>
1	0 589 45	<p><b>With 3 sockets</b> IP 55 - body IK 10 Composition : - 2 x 2P+E 16 A, German standard sockets with transparent cover - 1 x 3P+E 16 A, 380/415 V~, IP 67 panel mounting socket - Protection by 30 mA 4-pole RCBO To be equipped with 3G 2.5 mm<sup>2</sup> cable, connected as follows: - protective conductor on terminal block - power supply on the terminals of the RCBO</p>
1	0 589 43	<p><b>To be equipped</b> IP 44 - body IK 10 Can take up to 3 x 16 A max. sockets : - P 17 domestic pin configuration panel mounting sockets Cat.Nos 0 576 72 or 0 576 76 - P 17 panel mounting sockets, LV 16 A IEC, with standard fixing centres (horizontal fitting) - Plate with Osmoz emergency stop button Cat.No 0 577 40 or emergency break button Cat.No 0 577 45 - 1 adaptor Cat.No 0 539 48 to be equipped with Mosaic or Arteor wiring devices (except special surface mounting type) Supplied with 2 blanking plates Equipped with: - IP 2X terminal block for connecting the protective conductor - A rail taking up to 6 x 17.5 mm DIN modules</p>

## P 17 worksites combined units

### floor cabinet



0 589 57

0 577 43 - example of installation with floor cabinet

Technical characteristics p. 27

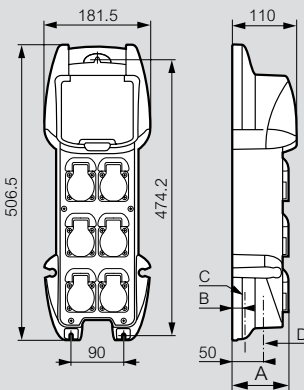
Conforming to standard IEC 60439-4 and the decree of 14 November 1988 on the protection of workers, and to the recommendations of the OPPBTP (French professional organisation for accident prevention in building and civil engineering)  
Provide temporary power supplies on building sites and for events  
RAL 7016 and RAL 7035

Pack	Cat.Nos	Floor cabinet
1	0 589 57	<p>IP 44 - enclosure IK 09 Material: body ABS - window polycarbonate Operating temperature: - 25 °C to + 40 °C Easy to hook on a wall without having to open the unit (fixed via the outside of the unit) or on frame Cat.No 0 577 43 Replaceable window (spare part on request) Pre-marked for optional addition of: - 2 cable entries (max. M32) on the bottom and 1 on each side of the unit - 1 additional P 17 domestic pin socket on each side of the unit Notches on each side for winding up the cable (not supplied), can be wound round the frame Option of adding a padlock Cat.No 0 044 43 to lock the window Dimensions (H x W): 479.6 x 431 mm</p> <p><b>To be equipped</b> 40 A - 400 VA max. Can take up to 6 sockets: - P 17 panel mounting domestic pin sockets Cat.Nos 0 576 72 or 0 576 76 - P 17 panel mounting sockets, LV 16/32 A IEC, with standard fixing centres - Plate with Osmoz emergency stop button Cat.No 0 577 40 or emergency break button Cat.No 0 577 45 - 1 adaptor Cat.No 0 539 48 to be equipped with Mosaic or Arteor wiring devices (except special surface mounting type) Equipped with: - IP 2X terminal block for connecting the protective conductor - 9 modular blanking plates - 3 blanking plates for sockets</p>
1	0 577 40	<p><b>Plates with Osmoz buttons</b> <b>Osmoz emergency stop button</b> For cutting off the power supply of the units Plate fixed on pre-drilled faceplate Supplied in parts ready for assembly Supplied with push-pull 2 NC contact block</p>
1	0 577 45	<p><b>Osmoz emergency break button</b> For cutting off the power supply of the units Plate fixed on pre-drilled faceplate Supplied in parts ready for assembly Supplied with push-pull 1 NO contact block</p>
1	0 577 43	<p><b>Foldable frame</b> For floor cabinets The unit can be fixed on the frame without opening the unit The unit equipped with its frame can be wall or floor-mounted Can be folded for easy transport and storage</p>

# P17 worksites combined units

## Dimensions of individual units

Cat.Nos 0 589 43/44/45

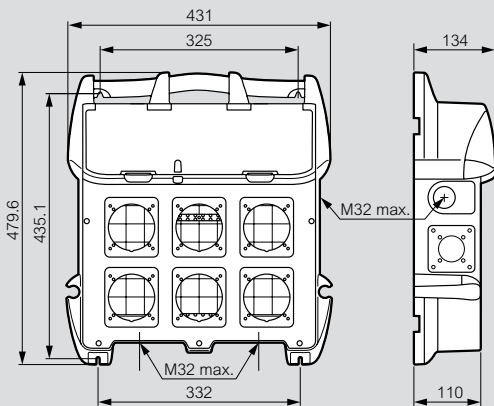


C: Pre-cut cable entry for cable gland (see below table, column C)  
D: Cable entry to be drilled (see below table, column D)

Cat.Nos	A	B	C	D
0 589 43	-	20	M20	max M20
0 589 44	96	20	M20	max M20
0 589 45	125	22.5	M25	-

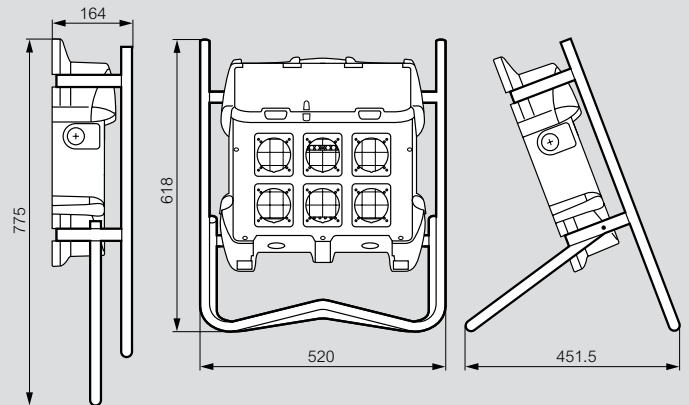
## Dimensions of floor cabinets

Cat.No 0 589 57



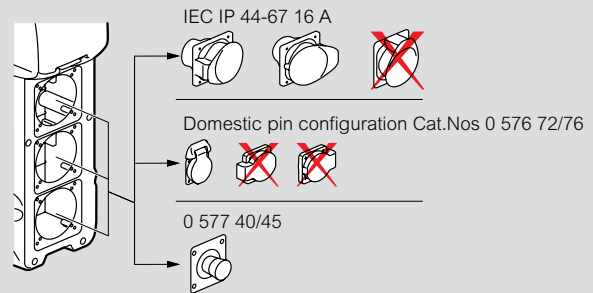
## Mounting on foldable frame

Cat.Nos 0 577 43 and 0 589 57

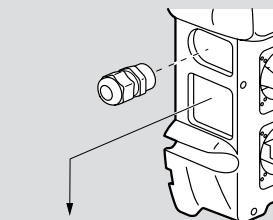
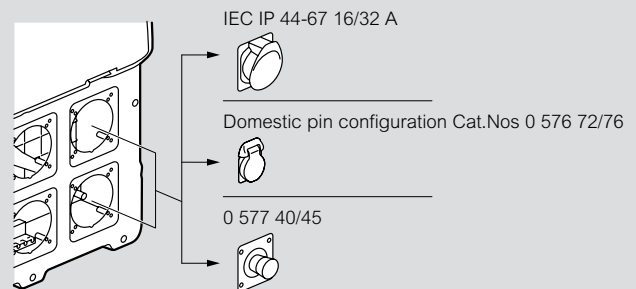


## Pre-marking for cable glands and sockets

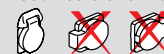
Cat.Nos 0 589 43/44/45



Cat.No 0 589 57

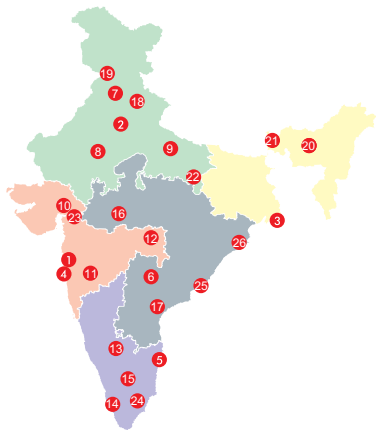


Domestic pin configuration  
Cat.Nos 0 576 72/76









### Head office

- 61 & 62, 6th Floor,  
Kalpataru Square, Kondivita Road,  
Off Andheri-Kurla Road, Andheri (E),  
**MUMBAI** – 400 059.  
Tel : (022) 3041 6200  
Fax : (022) 3041 6201  
Website : [www.legrand.co.in](http://www.legrand.co.in)

### Regional sales offices

- A-25, Mohan Co-operative  
Industrial Estate, Mathura Road,  
**NEW DELHI** – 110 044.  
Tel : (011) 3990 2200, 2699 0046,  
(011) 2699 0028 / 29 / 30 / 31  
Fax : (011) 2699 0047
- Bhakta Towers, 2nd & 3rd Floor,  
Plot No. KB 22, Sector-III, Saltlake,  
**KOLKATA** – 700 098.  
Tel : (033) 4021 3535 / 36  
Fax : (033) 4021 3537
- C/203, Corporate Avenue, Atul Projects,  
Near Mirador Hotel, Chakala,  
Andheri Ghatkopar Link Road,  
Andheri – East, **MUMBAI** – 400 099.  
Tel : (022) 3385 6200
- 10 B, (10th Floor), Prestige Center Court  
Office Block Vijaya Forum Mall, #183,  
N.S.K. Salai, Vadapalani  
**CHENNAI** – 600 026.  
Tel : (044) 3024 7200 / 2362 3125 / 35 / 45  
Fax : (044) 2362 3165
- 205-208, 2nd Floor,  
Block - II, White House,  
Kundan Bagh, Begumpet,  
**HYDERABAD** – 500 016.  
Tel : (040) 2341 4398 / 67, 4567 1717  
Fax : (040) 4567 1730

### Branch offices

- SCO 1-2-3,  
Second Floor, Sector 17B,  
**CHANDIGARH** – 160 017.  
Tel : (0172) 305 8631 / 32 / 33 / 34 / 35  
Fax : (0172) 501 9008
- 507-510, Vth Floor, Soni Paris Point,  
Jai Singh Highway, Banipark,  
**JAIPUR** – 302 016.  
Telefax : (0141) 511 3129, 510 1179
- 209-A, 2nd Floor, Cyber Heights,  
Opp. Indira Gandhi Pratishthan,  
Vibhuti Khand, Gomti Nagar  
**LUCKNOW** – 226 010.  
Tel : (522) 319 2031 / 32 / 33
- A 101-102, Mondeal Heights,  
Besides Novotel Hotel,  
Sarkhej Gandhinagar Highway  
(S G Highway),  
**AHMEDABAD** – 380 015.  
Tel : (079) 6134 0555
- 402, Swastik Chambers,  
Near Ashwamegh Marriage Hall,  
Behind HP Petrol Pump,  
Off Karve Road, Erandwane,  
**PUNE** – 411 004.  
Tel : (020) 6729 5601 / 602  
Fax : (020) 6729 5604
- Plot No.95, II Floor, Shreyash Heights,  
VIP Road, Ramdaspath,  
**NAGPUR** – 440 010.  
Tel : (0712) 662 7857 / 858  
Fax : (0712) 662 7859
- 2nd Floor, Al' Latheef Building,  
2/1, Union Street, Off. Infantry Road,  
**BANGALORE** – 560 001.  
Tel : (080) 2286 1078, 4113 3293  
Fax : (080) 4113 3294
- J. B. Manjooran Estate,  
Door No 50/1107A9, 3rd Floor,  
Bye Pass Junction, Edappally,  
**COCHIN** – 682 024.  
Tel : (0484) 280 1921 / 2921, 658 0921  
Fax : (0484) 280 1921 / 2921
- B-5, 1st Floor, Thirumalai Towers,  
723, Avanashi Road,  
**COIMBATORE** – 641 018.  
Tel : (0422) 650 2728, 222 3634 / 0283  
Fax : (0422) 222 3164
- 204-205, Megapolis Square,  
579, M G Road,  
**INDORE** – 452 001.  
Tel : (0731) 393 1650 / 51 / 52  
Fax : (0731) 393 1653
- MF-2, Datta's Lords House,  
Jammi Chettu Street, Mogalrajapuram,  
**VIJAYAWADA** – 520 010.  
Tel : (0866) 661 1393, 664 6393  
Fax : (0866) 669 9393

### Area offices

- ABC Business Club 16,  
Tagore Villa,  
**DEHRADUN** – 248 001.  
Tel : (0135) 271 5189  
Fax : (0135) 271 5580
- Cabin No. 9,  
Second Floor,  
Madhok Trade Centre,  
Madhok Complex,  
Ferozpur Road,  
**LUDHIANA** – 141 001.  
Tel : (0161) 277 0301 / 2 / 3 / 4
- House No. 97,  
Ground Floor,  
Rajgarh Main Road,  
Opp. City Heart Nursing Home,  
**GUWAHATI** – 781 007.  
Tel : (0361) 245 8498
- 94, Udham Singh Sarani,  
Ground Floor, Ashrampara,  
**SILIGURI** – 734 001.  
Tel : (0353) 264 1067
- 202 & 203, 2nd Floor,  
Sunrise, Forum 100,  
Burdwan Compound, Lalpur,  
**RANCHI** – 834 001.  
Tel : +91 9088104858
- 405, City Centre, Sosyo Circle,  
Udhana Magdalla Road,  
**SURAT** – 395 002.  
Tel : (0261) 263 3861
- Aparna Towers, 1st Floor,  
2/3, Bypass Road,  
**MADURAI** – 625 010.  
Telefax : (0452) 230 8414
- 404, Eshwar Plaza,  
Dwaraka Nagar, Main Road,  
Beside Bata Show Room,  
**VISHAKHAPATNAM** – 530 016.  
Tel : (0891) 663 5652  
Fax : (0891) 663 9363
- Plot No. 359,  
Saheed Nagar, 2nd Floor,  
**BHUBANESWAR** – 751 007.  
Tel : (0674) 254 0623

### Technical assistance from Legrand

Telephonic technical assistance for selection of products, technical information, guidance, wiring diagrams and estimation is now made available to you at each Regional Office. Contact the Technical Officer of Legrand at the following telephone numbers

- New Delhi** : Tel.: (011) 2699 0028, 3990 2200  
**Kolkata** : Tel.: (033) 4021 3535 / 36  
**Mumbai** : Tel.: (022) 3385 6200  
**Chennai** : Tel.: (044) 3024 7200  
**Hyderabad** : Tel.: (040) 2341 4398 / 67, 4567 1717

For other places, contact the nearest  
Regional / Branch / Area offices

[customer.care@legrand.co.in](mailto:customer.care@legrand.co.in)

